



perma STAR VARIO BLUETOOTH EX

Precise, reliable, bluetooth compatible, ex-proof certification

Versatile lubrication system with Bluetooth functionality for use in potentially explosive areas

perma STAR VARIO BLUETOOTH EX is used for single-point lubrication of roller and sliding bearings, sliding guides, open gears, gear racks, spindles, shaft seals and chains in potentially explosive areas. Thanks to precise lubricant metering, perma STAR VARIO BLUETOOTH EX is ideal for lubrication of electric motors with specified lubricant quantities. The lubrication system can be configured, controlled and maintained conveniently from a distance via perma CONNECT. perma STAR VARIO BLUETOOTH EX can be used in potentially explosive areas with gases (up to Zone 0 / Div 1) and dusts (up to Zone 20 / Div 1). Thanks to the intrinsically safe Battery pack STAR VARIO EX, both battery pack and STAR LC can be replaced directly on site.

More about our perma products
can be found on our website www.permausa.com



MADE IN GERMANY



II 1G Ex ia IIB T4 Ga
II 1D Ex ia IIIC T₂₀₀ 135°C Da
I M1 Ex ia I Ma

CML 23ATEX2479X
IECEX CML 21.0169X



Class I/II/III Div 1 Groups C,D,E,F,G,
T4 - T135°C
Intrinsically safe / Sécurité intrinsèque

Class I/II/III Zone 0/20 AEx/Ex ia IIB T4 Ga
AEx/Ex ia IIIC T135°C Da
-40°C to +60°C



PRODUCT CHARACTERISTICS & CUSTOMER BENEFITS



EX-PROOF CERTIFICATION CLASS I, II, III, DIV 1 & POKA-YOKE SAFEGUARD

- Automatic lubricant supply of lubrication points in potentially explosive areas
- Replacement of battery pack and STAR LC directly on site
- Safeguard mechanism ensures the use of the correct battery pack



BLUETOOTH FUNCTIONALITY

- Simple operation via perma CONNECT
- Realtime configuration, control and maintenance from a distance
- Increased workplace safety



PRESSURE BUILD-UP OF 109 OSI ALLOWS REMOTE MOUNTING UP TO 5 M

- Mounting outside of dangerous areas
- Higher equipment availability
- Universal application

TECHNICAL DATA

Drive - reusable

Electromechanical drive with Battery pack STAR VARIO EX (Lithium)

Discharge period

1, 2, 3 ... 12 months | 1, 2, 3 ... 52 weeks
STAR LC 500: max. 6 months

Lubricant volume

60, 120, 250, 500 cc | 2.03, 4.06, 8.45, 16.91 fl oz

Operating temperature

-40 °C* to +60 °C | -40 °F* to +140 °F

Pressure build-up

7.5 bar | 109 psi

Protection class

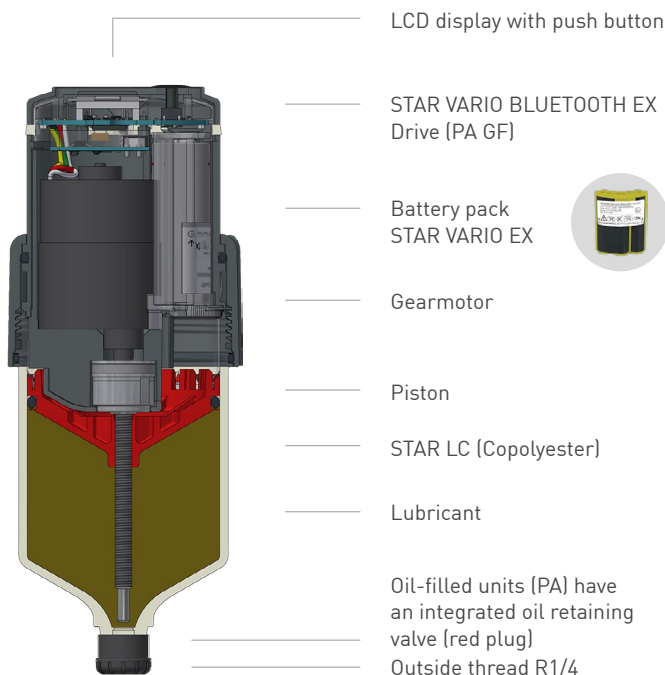
Min. IP 54

Standard & special lubricants

Greases up to NLGI 2 | Oils

Dimensions

LC 60: Ø 75 x 155 mm | LC 120: Ø 75 x 178 mm
LC 250: Ø 75 x 228 mm | LC 500: Ø 75 x 324 mm



*Only use with suitable low temperature lubricants!

H-T-L perma USA LP
10333 Westlake Drive
CHARLOTTE, NC 28273
USA

Tel.: +1 704 377 3100
800 997 3762 FREE
info@permausa.com
www.permausa.com