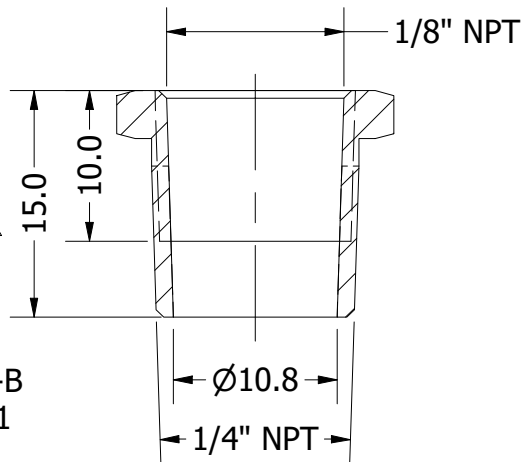
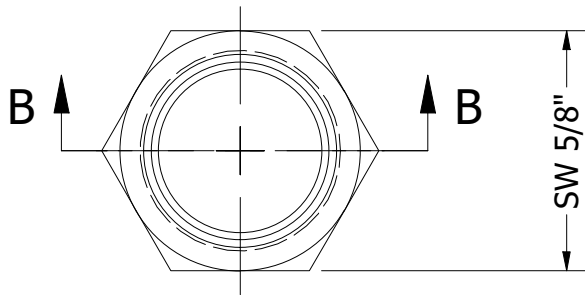


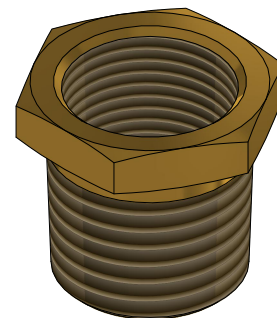
2



1




SECTION B-B
SCALE 2 : 1



NOTES:

- Free of burrs and swarfs
- No particles (greater than 0.2mm)
- No Sharp Edges

PART NUMBER				DIMENSIONING AND TOLERANCING PER ASME Y14.5M-1994		ALL DIMENSIONS [mm.]		SCALE: 2 : 1		MAT: Brass					
901011															
				DEPT		DATE		NAME		 H.T.L perma USA, L.P. 10333 Westlake Drive Charlotte, NC 28273 (704) 377-3100					
				A.E.		11.01.2024		K. Brooks							
				PROJECT				DESCRIPTION:							
DONE				Updated Company Address		11/24		KBS		Accessories		Bushing 1/4" NPT male x 1/8" NPT female		<div style="font-size: 2em; font-weight: bold;">1</div> <div style="font-size: 3em; font-weight: bold;">A</div>	
1				Update Dimension 20.3mm to 15.0 mm		05/22		KBS							
STATUS		REVISION		DATE		NAME		PREV DWG NUM: AX_RED_011_B				DWG NUM: AX_RED_011_C			

2



1