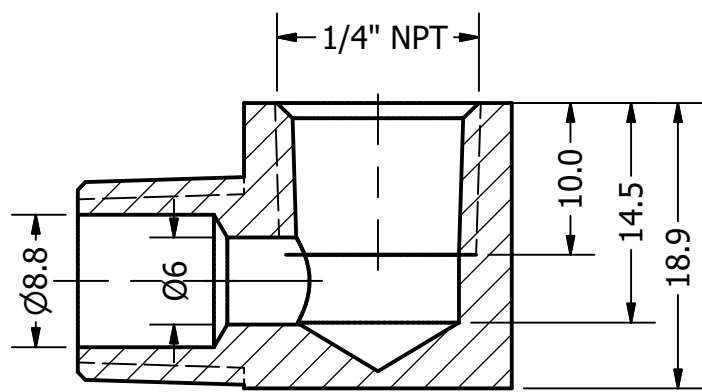
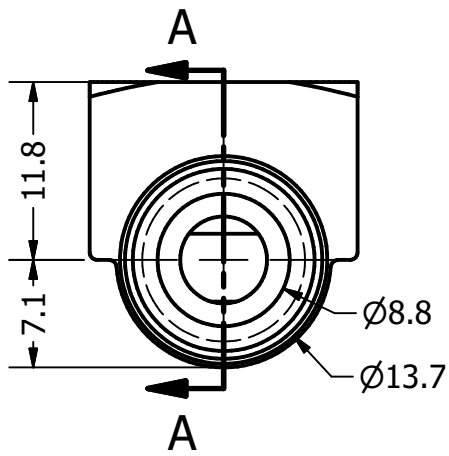
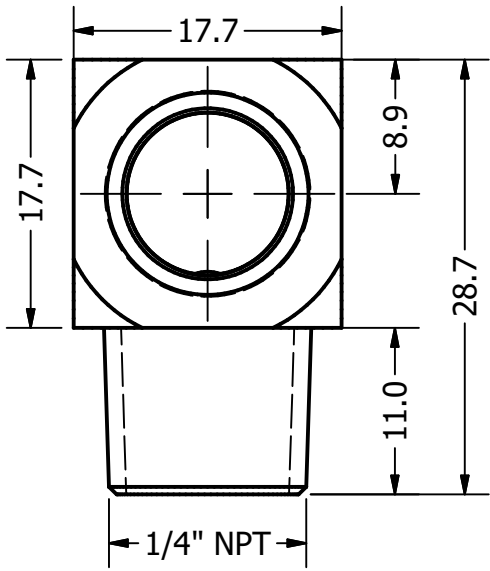


2

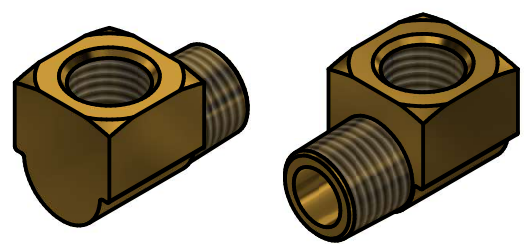
1




SECTION A-A
SCALE 2 : 1

NOTES:

- Free of burrs and swarfs
- No particles (greater than 0.2mm)
- No Sharp Edges



PART NUMBER				DIMENSIONING AND TOLERANCING PER ASME Y14.5M-1994		ALL DIMENSIONS [mm.]		SCALE: 2 : 1		MAT: Brass	
901030											
				DEPT		DATE		NAME		 H.T.L perma USA, L.P. 2129 Center Park Road Charlotte, NC 28217 (704) 377-3100	
				A.E.		6.14.2018		K. Brooks			
				PROJECT				DESCRIPTION:			
				Accessories				Angle 90, 1/4" NPT-M x 1/4" NPT-F Square			
				PREV DWG NUM:				DWG NUM: AX_ANG_030_A			
STATUS		REVISION		DATE		NAME					

2

1